

PRODUCT PAGE

For technical and availability information,
please contact Onmar.

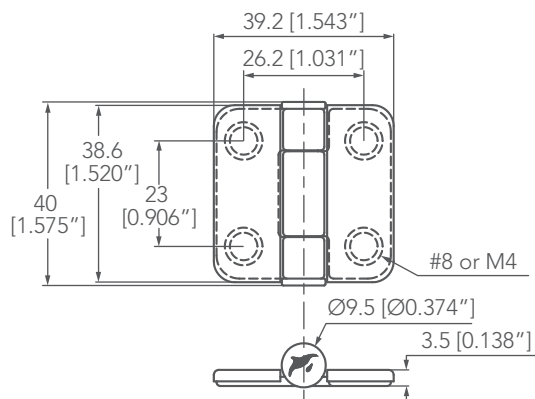
+46 (0) 16 42 86 80

info@onmar.se

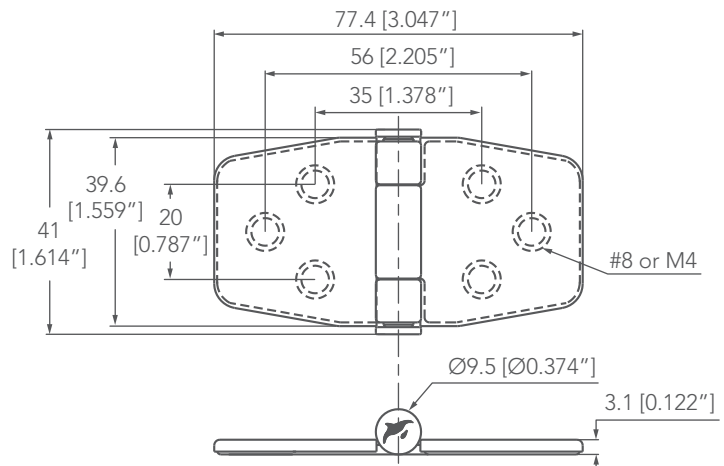
www.onmar.se



Bulk No.	Screw	Type	Size
OT-51-0002-24	#8	Barrel Up	38.6mm X 39.2mm 1-1/2" X 1-9/16" Torque Range: 1.73±0.23N-m



Bulk No.	Screw	Type	Size
OT-51-0001-24	M4	Barrel Up	39.6mm X 77.4mm 1-9/16" X 3-1/16" Torque Range: 1.6±0.4N-m



COVERED FRICTION HINGE

Stainless Steel 316

- Provides constant torque throughout the entire range of motion.
- Holds door open at any desired angle without torque adjustment.
- Ideal for light-weight doors, such as overhead door, baitwell lid, glove box, interior door, anchor locker, electronic panel, etc.
- Easy installation with 3M VHB double-side tape.
- The cover can be removed by using a heat gun or hair dryer.
- Passed 10,000 times cycle test and lost less than 10% on torque; 20,000 times lost 20% or less only.
- Passed 500-hour salt-spray test.

